

KM-ADCD series



Quick Selection Guide

CODE		DESCRIPTION
A	Current	Ampere
D	Input	DC
C	Measuring range	4~20mA
D	Power supply	DC 24V
-	Mounting	Horizontal
V		Vertical

- Compact size 49(W) x 12.7(H) x 68(D)
- Display DC input as LED graphical bar (0-100%)
- Mode selector (adjust SPAN)

Specification

Power supply voltage	24VDC
Power consumption	Maximum 0.5W
Indicator	RED and GREEN LED
Maximum input value	DC 20mA±10%
Measurement error	Maximum 1%
Error by temperature	Maximum ±2% per 1°C
Insulation resistance	Minimum 100MΩ
Withstand voltage	1000VAC 50/60Hz for 1 minute
Noise resistance	Square wave noise by noise simulator: (Pulse Width 1 μs) ±1 kV
Operating ambient temperature	-10 - +55°C (not in frozen condition)
Operating ambient humidity	35 - 85%RH
Wiring	Terminal screw
Body material	Nylon
Net. Weight	35g

SQUARE LIGHT

TOWER LIGHT

BUZZER

TIMER & COUNTER

RELAY

SOCKETS

TERMINAL BLOCKS

CONTROL BOX

PANEL METER

Operation indicator

0% Red LED ON	Very low input current (under 0.5mA)
0% Red LED flickering	Low Input current (0.6mA ~ 3.4mA)
0% Red / Green LED ON	Input current reaches 0% (3.5mA ~ 4.4 mA)
0~100% Red / Green LED ON	Input current reaches 100% (19.5mA ~20.4mA)
100% Red LED flickering	Input current exceeds the Maximum input value(20.5mA)

Modes

Mode 1	Adjust Span (0%)	Set the present value as "0%" ⁽¹⁾
Mode 2	Adjust Span (100%)	Set the present value as "100%" ⁽²⁾
Mode 3	Factory reset	Reset all value ⁽³⁾
Mode 4	Demo display	Demo mode operation ⁽⁴⁾

(1) Set range 2 - 6mA, 0% RED LED 1 flickering and if no additional input for 2 seconds, set current input value as 0%.

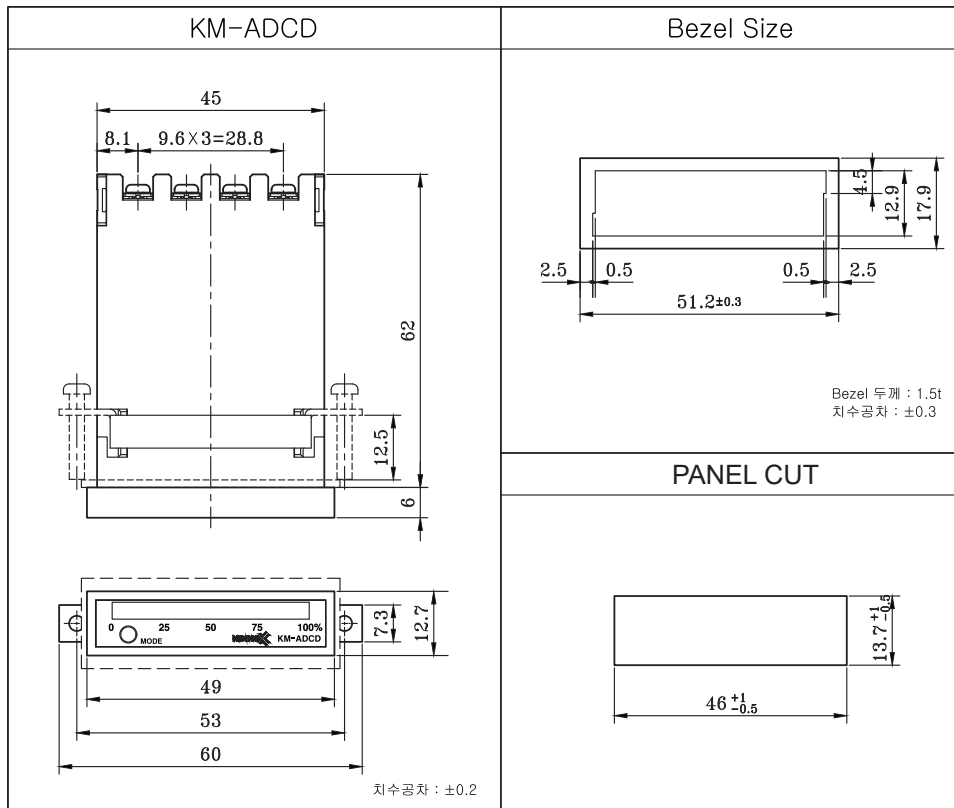
(2) Set range 18 - 22mA, 100% RED LED 1 flash and if no additional input for 2 seconds, set current input value as 100%.

(3) 0% RED / GREEN LED 1 flash and if no additional input for 2 seconds, reset all the values.

(4) 100% RED / GREEN LED 1 flash and if no additional input for 2 seconds, run DEMO mode

* Flicker RED LED 3 times and returns to default operating mode when out of range or more than 5 times.

Dimensions



KOINOX